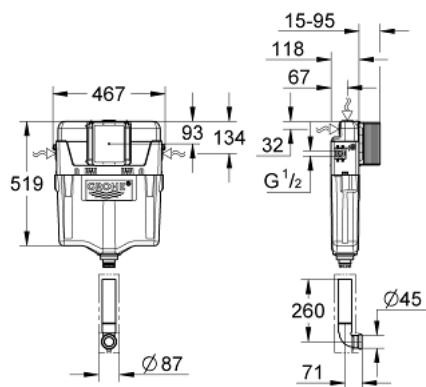


## 38 661 000 WC CONCEALED CISTERN

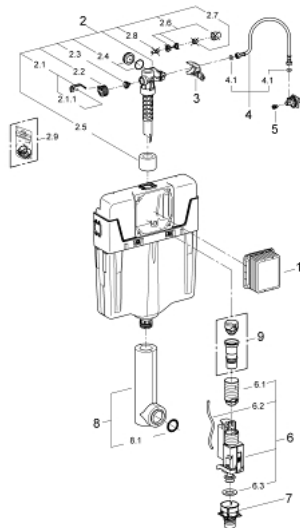


### PRODUCT DESCRIPTION

- factory set 6 l and 3 l
- pneumatic discharge valve offering 2 modes of operation: dual flush or single flush
- connection from left/right/back or top
- Insulated against condensation
- ½" water supply connection including integrated angle valve and push fit flexible hose union
- inspection shaft for vertical or horizontal use allows for flush plate to be installed vertically or horizontally.
- flush pipe insulated against condensation
- fixing brackets
- for mounting of small flush plates please order revision shaft 40 911 000 (sold separately)



## 38 661 000 WC CONCEALED CISTERN



### SPARE PARTS

- 1: Inspection shaft (Order-nr. 66783000)
  - 2: Filling valve (Order-nr. 37095000)
    - 2.1: Lever (Order-nr. 43734000)
      - 2.1.1: Sealing washer (Order-nr. 4377000M)
    - 2.2: Valve head (Order-nr. 43536000)
    - 2.3: Membrane (Order-nr. 4375800M)
    - 2.4: Screw cap (Order-nr. 43735000)
    - 2.5: Valve FLOAT, 5 pcs. (Order-nr. 4379100M)
  - 2.6: Dummy plug and escutcheon cap (Order-nr. 37125000)
  - 2.7: Compression nut (Order-nr. 43258000)
  - 2.8: Throttle (Order-nr. 42356000)
  - 2.9: Set of seals (Order-nr. 43722000)\*
  - 3: Support device (Order-nr. 42246000)
  - 4: Connecting hose (Order-nr. 42233000)
    - 4.1: O-Ring (Order-nr. 0319100M)
  - 5: Headpart (Order-nr. 42385000)
  - 6: Dual Flush discharge valve AV1 (Order-nr. 42320000)
    - 6.1: Extension for overflow pipe (Order-nr. 42313000)
    - 6.2: Pneumatic hose (Order-nr. 42319000)
    - 6.3: Sealing washer (Order-nr. 42310000)
  - 7: Valve seat for GD2 (Order-nr. 42315000)
  - 8: Flush pipe, concealed (Order-nr. 43908000)
    - 8.1: O-Ring (Order-nr. 4388000M)
  - 9: 4.5 l adapter for GD2 (Order-nr. 42333000)\*
- \* Optional accessories