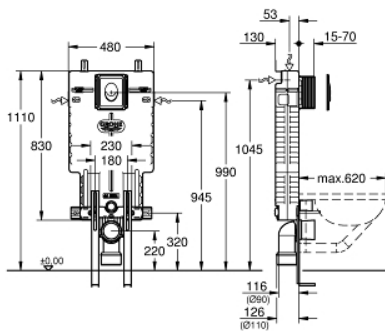
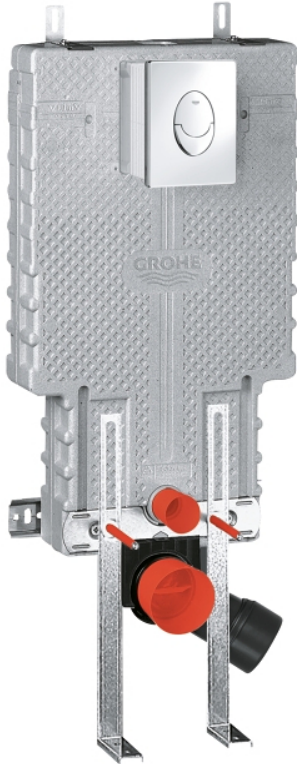


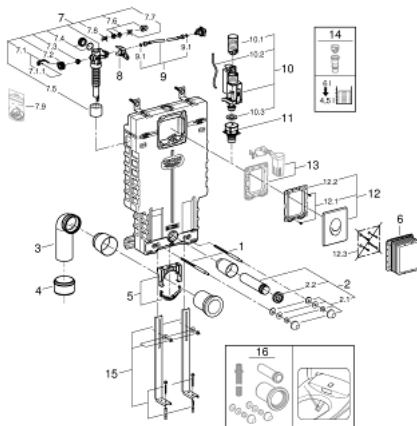
39 452 000 UNISET UNISET 3-IN-1 SET FOR WC

PRODUCT DESCRIPTION

- with flushing cistern GD 2, 6 - 9 l
- Uniset element for WC (38 643 001)
- Skate Air flush plate, chrome, vertical installation (38 505 000)
- support feet (37 304 000)



39 452 000 UNISET UNISET 3-IN-1 SET FOR WC



SPARE PARTS

- 1: Threaded bolt (Order-nr. 4276400M)
- 2: WC inlet and outlet connecting set (Order-nr. 37311K00)
- 2.1: Basin fastening (Order-nr. 43511SH0)
- 2.2: Connector (Order-nr. 37119000)
- 3: PP-outlet bend Ø 90 mm (Order-nr. 42327000)
- 4: 4" Outlet Adaptor for Rapid SL (Order-nr. 42242000)
- 5: Support for outlet bend (Order-nr. 42243000)
- 6: Revision shaft

(Order-nr. 66783000)
- 7: Filling valve (Order-nr. 37095000)
- 7.1: Lever (Order-nr. 43734000)
- 7.1.1: Seal (Order-nr. 4377000M)
- 7.2: Valve head (Order-nr. 43536000)
- 7.3: Membrane (Order-nr. 4375800M)
- 7.4: Screw cap (Order-nr. 43735000)
- 7.5: Valve FLOAT, 5 pcs.. (Order-nr. 4379100M)
- 7.6: Set of seals (Order-nr. 43722000)*
- 8: Support device (Order-nr. 42246000)
- 9: Tube (Order-nr. 42233000)
- 9.1: Sealing washer (Order-nr. 0319100M)
- 10: Dual Flush discharge valve AV1 (Order-nr. 42320000)
- 10.1: Extension for overflow pipe (Order-nr. 42313000)
- 10.2: Pneumatic hose (Order-nr. 42319000)
- 10.3: Seal (Order-nr. 42310000)
- 11: Valve seat for GD2 (Order-nr. 42315000)
- 12: Wall plate (Order-nr. 38505000)
- 12.1: Screw (Order-nr. 6636200M)
- 12.2: Mounting frame (Order-nr. 43207000)
- 12.3: Fixing set (Order-nr. 4308500M)*
- 12.4: Fixing set (Order-nr. 4215800M)*
- 13: Adaptor (Order-nr. 38796000)*
- 14: 4.5 l adapter for GD2 (Order-nr. 42333000)*
- 15: Support feet (Order-nr. 37304000)*
- 16: Retrofit kit for shower toilets Sensia Arena and IGS (Order-nr. 40899000)*

* Optional accessories