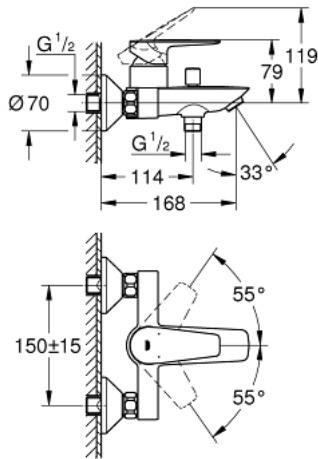


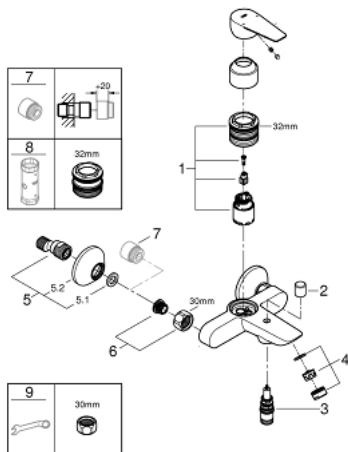
23 605 001 BAUEDGE SINGLE-LEVER BATH MIXER 1/2"



PRODUCT DESCRIPTION

- wall mounted
- **GROHE Longlife** 35 mm ceramic cartridge
- with temperature limiter
- **GROHE StarLight** chrome finish
- adjustable flow rate limiter
- automatic diverter: bath/shower
- spout with mousseur
- shower bottom outlet with integrated non return-valve
- protected against backflow
- S-unions

23 605 001 BAUEDGE SINGLE-LEVER BATH MIXER 1/2"



SPARE PARTS

- 1: Cartridge (Order-nr. 46374000)
 - 2: Diverter knob (Order-nr. 64309000)
 - 3: Diverter (Order-nr. 65655000)
 - 4: Mousseur (Order-nr. 13941000)
 - 5: S-union (Order-nr. 12075000)
 - 5.1: Seal (Order-nr. 0138600M)
 - 5.2: Escutcheon (Order-nr. 0221000M)
 - 6: Screw connection 1/2" (Order-nr. 45044000)
 - 7: Extension 3/4", 20 mm (Order-nr. 0713000M)*
 - 8: Temperature limiter (Order-nr. 46375000)*
 - 9: Socket Spanner (Order-nr. 19332000)*
 - 10: Special spanner (Order-nr. 19377000)*
- * Optional accessories