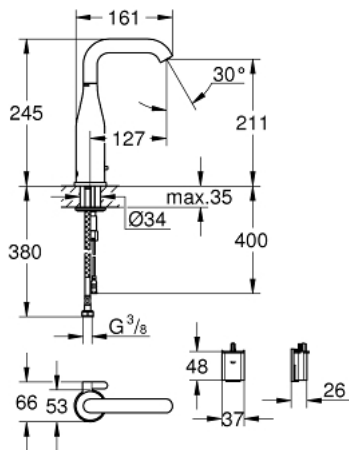


36 445 000 ESSENCE E INFRA-RED ELECTRONIC BASIN MIXER 1/2" WITH MIXING DEVICE AND ADJUSTABLE TEMPERATURE LIMITER

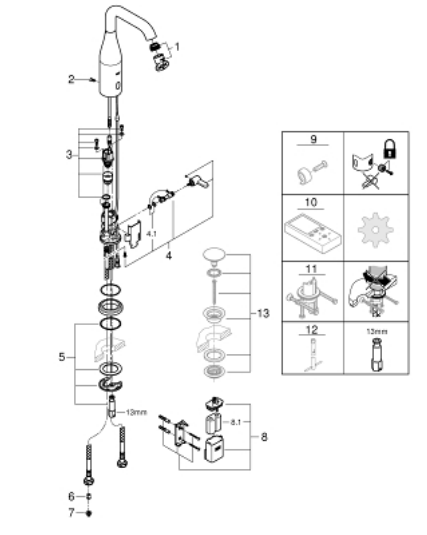


PRODUCT DESCRIPTION

- with infrared sensor for bi-directional communication for monitoring, configuration and service purpose
- 6V lithium battery, type CR-P2
- battery lifetime: approx. 7 years (150 actuations a day)
- GROHE StarLight chrome finish
- adjustable swivel area 0° / 150° / 360°
- laminar spray regulator 5.0 l/min
- flexible connection hoses
- non-return valve
- dirt strainers
- integrated solenoid valve
- external battery
- rapid installation system
- multistage battery status display
- 7 pre-set programs:
 - auto flush
 - thermal disinfection
 - cleaning mode
- additional functions and precise settings by remote control 36 407
- CE approved
- type of protection faucet IP 59K



36 445 000 ESSENCE E INFRA-RED ELECTRONIC BASIN MIXER 1/2" WITH MIXING DEVICE AND ADJUSTABLE TEMPERATURE LIMITER



SPARE PARTS

- 1: Flow straightener (Order-nr. 48376000)
- 2: Screws (Order-nr. 4283100M)
- 3: Solenoid valve (Order-nr. 42479000)
- 4: Mixing lever (Order-nr. 42401000)
- 4.1: Sealing washer (Order-nr. 4284000M)
- 5: Mounting set (Order-nr. 42400000)
- 6: Non-return valve (Order-nr. 4257200M)
- 7: Filter (Order-nr. 4241300M)
- 8: Battery housing with battery (Order-nr. 42393000)
- 8.1: Battery (Order-nr. 42886000)
- 9: Hidden mixing device

(Order-nr. 42408000)*

- 10: Remote control (Order-nr. 36407001)*
- 11: Rotation lock (Order-nr. 36276000)*
- 12: Mounting wrench (Order-nr. 19017000)*
- 13: Waste set with push-open plug (Order-nr. 65807000)*

* Optional accessories