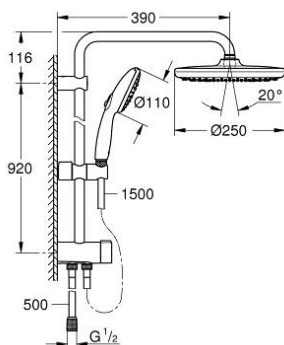
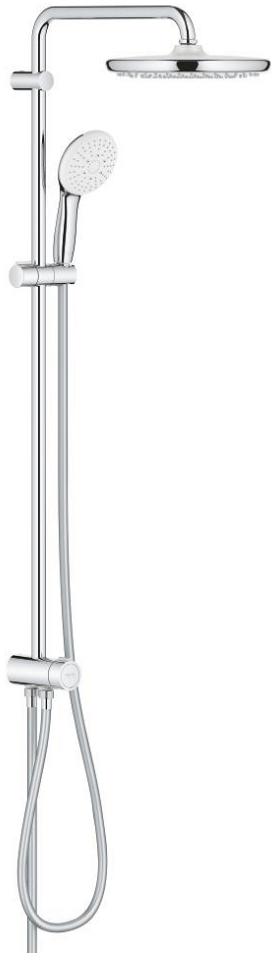


26 675 001 TEMPESTA SYSTEM 250 SHOWER SYSTEM WITH DIVERTER FOR WALL MOUNTING



PRODUCT DESCRIPTION (1/2)

- Colour: chrome
- consisting of:
 - horizontal 390 mm shower arm, adjustable before installation
 - change by diverter between hand shower, head shower or head shower Eco setting
 - head shower Tempesta 250 (26 666)
 - 2 spray patterns (via diverter):
 - Rain, SmartRain
 - head shower with white rear cover
 - with ball joint
 - rotation angle $\pm 10^\circ$
 - hand shower Tempesta 110 (28 419)
- 3 spray patterns:
 - Rain, Jet, Massage
 - adjustable in height with gliding element
 - distance between diverter and upper bracket: 920 mm
 - shower hose Relexaflex 1500 mm (28 151)
 - Relexaflex shower hose 500 mm (22 115)
 - flexible installation: connection to faucet / wall union for water supply with 1/2" thread of the 500 mm shower hose
 - maximum flow rate (at 3 bar): 7.9 l/min
 - GROHE Water Saving - Less water, perfect flow
 - GROHE SmartSwitch - easily rotate the dial to enjoy your preferred spray option
 - GROHE DreamSpray perfect spray pattern
 - ShockProof silicone ring prevents damages caused by shower falling
 - GROHE Long-Life finish
 - SpeedClean anti-lime system
 - Inner WaterGuide for a longer life

Pure Freude
an Wasser

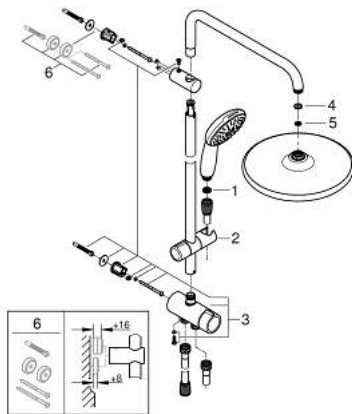


26 675 001 TEMPESTA SYSTEM 250 SHOWER SYSTEM WITH DIVERTER FOR WALL MOUNTING

PRODUCT DESCRIPTION (2/2)

- suitable for instantaneous heaters from 18 kW/h
- minimum flow rate 7 l/min.
- minimum pressure 1.0 bar
- professional edition

26 675 001 TEMPESTA SYSTEM 250 SHOWER SYSTEM WITH DIVERTER FOR WALL MOUNTING



SPARE PARTS, November 2021 – now

- 1: Dirt strainer (Spare part-nr. 0700200M)
- 2: Glider (Spare part-nr. 48609000)
- 3: Diverter (Spare part-nr. 48338000)
- 4: Fibre seal dia. Ø18.5 x Ø12 x 2 (Spare part-nr. 0138900M)
- 5: Dirt strainer (Spare part-nr. 48007000)
- 6: Compensation disc (Spare part-nr. 26496000)*

* Optional accessories