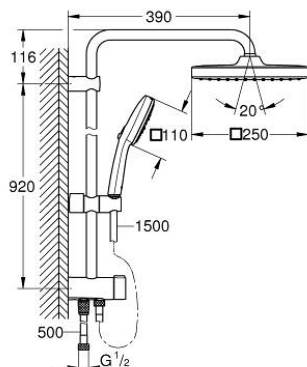


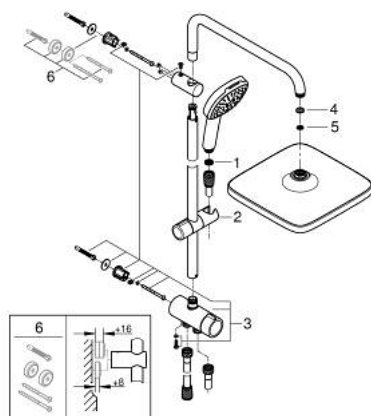
26 694 001 TEMPESTA SYSTEM 250 CUBE SHOWER SYSTEM WITH DIVERTER FOR WALL MOUNTING



PRODUCT DESCRIPTION

- Colour: chrome
- diverter
- horizontal 390 mm shower arm, adjustable before installation
- change by diverter between hand shower, head shower or head shower
Eco setting
- head shower Tempesta 250 Cube (26 685)
- 2 spray patterns (via diverter):
- Rain, SmartRain
- head shower with white rear cover
- with ball joint
- hand shower Tempesta Cube 110 (27 574)
- 3 spray patterns:
- Rain, Jet, Massage
- adjustable in height with gliding element
- distance between diverter and upper bracket: 920 mm
- shower hose Relexaflex 1500 mm (28 151)
- Relexaflex shower hose 500 mm (22 115)
- flexible installation: connection to faucet / wall union for water supply with 1/2" thread of the 500 mm shower hose
- maximum flow rate (at 3 bar): 8.7 l/min
- GROHE Water Saving - Less water, perfect flow
- GROHE SmartSwitch - easily rotate the dial to enjoy your preferred spray option
- GROHE DreamSpray perfect spray pattern
- ShockProof silicone ring prevents damages caused by shower falling
- GROHE Long-Life finish
- SpeedClean anti-lime system
- Inner WaterGuide for a longer life
- minimum flow rate 7 l/min.

26 694 001 TEMPESTA SYSTEM 250 CUBE SHOWER SYSTEM WITH DIVERTER FOR WALL MOUNTING



SPARE PARTS, November 2021 – now

- 1: Dirt strainer (Spare part-nr. 0700200M)
- 2: Glider (Spare part-nr. 48609000)
- 3: Diverter (Spare part-nr. 48338000)
- 4: Fibre seal dia. Ø18.5 x Ø12 x 2 (Spare part-nr. 0138900M)
- 5: Dirt strainer (Spare part-nr. 48007000)
- 6: Compensation disc (Spare part-nr. 26496000)*

* Optional accessories