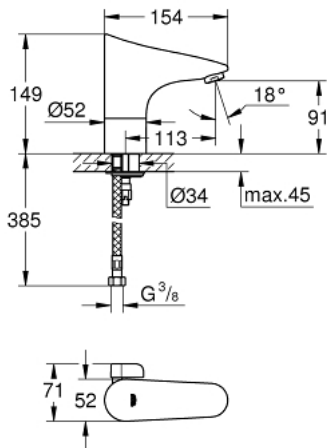


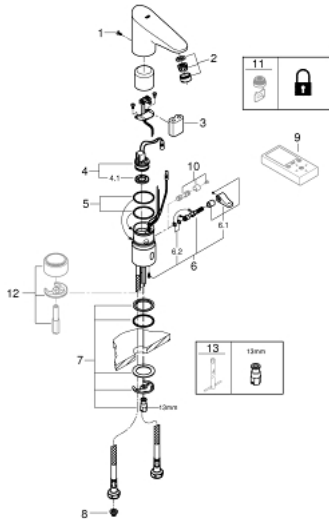
36 207 001 EUROPLUS E INFRA-RED ELECTRONIC BASIN MIXER 1/2" WITH MIXING DEVICE AND ADJUSTABLE TEMPERATURE LIMITER



PRODUCT DESCRIPTION

- with infrared sensor for bi-directional communication for monitoring, configuration and service purpose
- 6V lithium battery, type CR-P2
- battery lifetime: approx. 7 years (150 actuations a day)
- GROHE StarLight finish
- GROHE EcoJoy mousseur 5.7 l/min
- flexible connection hoses
- non-return valve
- dirt strainers
- solenoid valve
- rapid installation system
- multistage battery status display
- 7 pre-set programs:
 - auto flush
 - thermal disinfection
 - cleaning mode
- additional functions and precise settings by remote control 36 407
- CE approved
- type of protection faucet IP 59K

36 207 001 EUROPLUS E INFRA-RED ELECTRONIC BASIN MIXER 1/2" WITH MIXING DEVICE AND ADJUSTABLE TEMPERATURE LIMITER



SPARE PARTS

- 1: Screws (Order-nr. 4283100M)
 - 2: Mousseur (Order-nr. 48159000)
 - 3: Battery (Order-nr. 42886000)
 - 4: Solenoid valve (Order-nr. 42229000)
 - 4.1: Dirt strainer (Order-nr. 42798000)
 - 5: Sealing washer (Order-nr. 4283600M)
 - 6: Lever (Order-nr. 42839000)
 - 6.1: Mixing lever (Order-nr. 42838000)
 - 6.2: Sealing washer (Order-nr. 4284000M)
 - 7: Fixing set (Order-nr. 42841000)
 - 8: Filter (Order-nr. 4241300M)
 - 9: Remote control (Order-nr. 36407001)*
 - 10: Hidden mixing device

(Order-nr. 36209000)*
 - 11: Mousseur (Order-nr. 36133000)*
 - 12: Socket (Order-nr. 36210000)*
 - 13: Mounting wrench (Order-nr. 19017000)*
- * Optional accessories