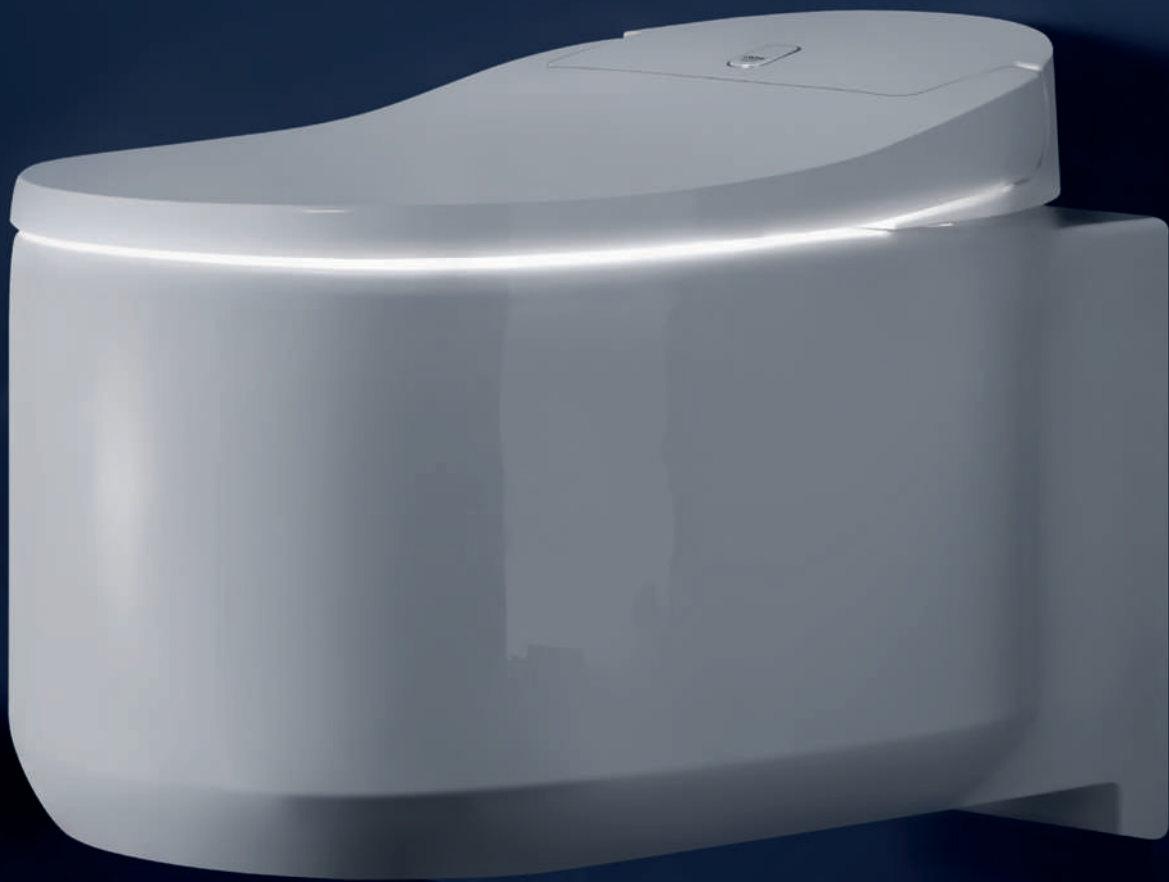


*Pure Freude  
an Wasser*



# INTELLIGENT CARE

INTRODUCING THE NEW CLEAN:  
**GROHE SENSIA ARENA**



# TRANSFORM YOUR MOST PRIVATE RITUAL

The world is evolving continuously. Some cars drive with zero emissions, others can drive themselves thanks to scientific breakthroughs. Smartphones and apps become more and more integral to our daily routine, using smart technology to monitor our physical wellbeing. GROHE wants to take the next step in sanitary care, by enhancing your daily routine with Intelligent Care. A new and revolutionary product category that respects our evolved sense of body and self. The technology and design of the Sensia Arena takes care of some of your most private moments, inviting you into a new dimension of wellbeing and cleanliness.



# WHAT IS ULTIMATE CLEAN? WASH OR WIPE?

When you think of cleaning what springs to mind? Surely not paper? It's fresh, flowing water! The most natural cleaning agent there is, it's kind to the skin and wonderfully effective. That's why humans have used it for cleaning since the dawn of time. We wash our hands and bodies daily as part of our hygiene routine – it's refreshing, soothing and leaves us feeling good. We wouldn't consider a quick rub down with a paper towel to do the same job – except when we use the toilet. In many cultures cleaning with water after visiting the toilet is just as natural as washing hands. And today, as our interest in hygiene and personal grooming grows, more and more people want to get that clean, refreshed and secure feeling after using the toilet. As a result shower toilets – toilets with an integrated bidet function – are becoming increasingly popular. Now GROHE introduces its revolutionary shower toilet, the Sensia Arena, providing gentle natural cleansing using just water.

WHEN **GERMAN**  
DESIGN...





# ...AND **GERMAN** ENGINEERING...

GROHE's people have been regarded by their peers in the industry because of their innovations, outstanding design and award-winning fittings.

By a combination of their advanced craftsmanship and their cutting-edge approach to effective teamwork and processes, our experts take the lead in developing, designing and manufacturing our outstanding product range, all the while testing and fine-tuning each piece to ensure continued customer satisfaction.



# ...MEETS **JAPANESE** SPA CULTURE

Would you eat raw fish without knowing something of the culture and tradition of sushi? We have learned so many things from Japan's culture: bathing rituals, eating rituals, manufacturing processes. We studied their advanced sanitary customs and technological know-how and now introduce a new and revolutionary sanitary concept based on breakthrough technology. A technology that cares intelligently and that will change your life – at least, an essential and most private part of it.

# WELCOME TO A CATEGORY OF CLEAN: GROHE SENSIA ARENA

Softer on the skin, more soothing and more hygienic than wiping with paper – let the new GROHE shower toilets broaden your horizons about how good your daily cleansing routine can make you feel.



01  
PERFECT  
**SKIN CARE**

02  
ULTIMATE  
**HYGIENE CLEAN**

03  
PERSONAL  
**COMFORT**



# GROHE PRESENTS SENSIA ARENA THE CLEANEST EVER

Enjoy the feeling of lightness and wellbeing that a personalised cleaning routine can bring you. Sensia Arena impresses with innovative functions, such as GROHE SkinClean and GROHE HygieneClean. Discover the difference it can make to your day.





# DESIGN THAT CARES

Good design should be instinctive to use, with form and function marrying perfectly to create objects that make you feel instantly at home. Our design for the new GROHE Sensia Arena is pure and fuss-free. We've designed it with clean lines that leave dirt nowhere to hide, its smooth shape a model of discreet elegance. It includes details that will give you a subtle sense of comfort, from the nightlight that guides you through the bathroom after dark to the automatic open and close feature of the lid, each one carefully thought out to make you feel looked after and secure. For its sleek silhouette to its technologically advanced finish we believe that with the GROHE Sensia Arena we've set the benchmark for the future of personalized, clean comfort.

**Michael Seum, GROHE Design**



# INTELLIGENT CLEANLINESS TAILOR-MADE FOR YOU

Your bathroom and toilet should feel like the cleanest space in the house! We know that to feel totally clean you need to have confidence, that your shower toilet is pristine and hygienic too. That's why every design detail has been carefully considered to offer new levels of cleanliness at every stage. Special hygienic coatings and powerful flushing keep the toilet clean while the self-cleaning, anti-bacterial spray arms give you total peace of mind when using the spray function.

## ENJOY A WEALTH OF BENEFITS THAT WILL FIT YOU LIKE A GLOVE

### 01 PERFECT SKIN CARE

With a selection of fully adjustable sprays, anti-bacterial twin shower arms and unlimited warm water for comfortable cleaning we offer perfect skin care: GROHE SkinClean.

### 02 ULTIMATE HYGIENE CLEAN

With leading-edge AquaCeramic technology, germ-resistant HyperClean coating and self-cleaning, anti-bacterial spray arms you can be certain of 100% hygiene security: GROHE HygieneClean.

### 03 PERSONAL COMFORT

With features like odour absorption, air dryer, nightlight and the smartphone app we offer the smartest comfort: Personal Comfort.



# 01 THAT'S WHAT **YOUR SKIN** WOULD CHOOSE

Imagine a way of cleaning that is not just more hygienic but also kinder to your skin. Something that leaves you feeling cared for and comfortable, not to mention confident in your body. The new GROHE Sensia Arena harnesses the natural goodness of water to refresh and revitalise your skin, leaving you completely clean without the harshness of paper or chemicals. In the comfort of your own bathroom it gives you the opportunity to be kind to yourself, and your skin, every single day.



# ADVANCED TECHNOLOGIES FOR PERFECT SKIN CARE



## GROHE SKINCLEAN

GROHE's shower toilet spray technology lets you choose spray type, spray strength and position individually. Developed to give you an experience of cleansing that is powerful yet still gentle, always precise and tailored to your taste.



## ADJUSTABLE WATER TEMPERATURE

Set the water temperature to your personal preference.



## UNLIMITED WARM WATER SUPPLY

An instant heater inside guarantees limitless warm water for the spray functions



## ADJUSTABLE SPRAY PRESSURE

Adjust the spray strength to suit your needs.



## ADJUSTABLE SHOWER ARM

Reposition the spray arms as required.



## LADY SHOWER

A dedicated shower arm designed to provide gentle cleaning to the female intimate area.



## TWIN SHOWER ARM

Separate arms for female and rear sprays guarantee hygiene and comfort.



## REAR SPRAY

A dedicated shower arm for precise cleaning of the rear area for a perfect powerful cleaning experience.



## REAR SOFT SPRAY

For a softer, more soothing cleaning experience select the soft spray option.



## MASSAGE SPRAY

Allows you to alternate between soft and vigorous spray strength – for a soothing pulsating massage effect.



## OSCILLATING SPRAY

The soft forward and backward motion provides gentle cleansing.

## YOUR SHOWER TOILET – YOUR CHOICES

At GROHE we know very well that no two people are the same. You expect your bathroom shower to be adjustable to exactly the way you like it, and the GROHE shower toilets are just the same. The Sensia Arena offers you the luxury of total control over your cleansing. Simply select your preferred settings either on the side panel of the seat or with the convenient remote control. You can even programme your preferences to your individual profile in the smartphone app, meaning your Sensia Arena recalls exactly the sort of care you prefer, every time.

## YOUR SENSIA ARENA LETS YOU CONTROL:



your desired water temperature. Fresh and cool or warming comfort, the temperature of the cleaning spray is up to you.



unlimited warm water. Thanks to the shower toilet's instant heating system you can enjoy constant, unlimited warm water for your complete comfort.



your preferred spray pressure. From soft and soothing to a forceful spray, pick the power setting that suits you.



your ideal spray position. Adapt the exact spray arm position for great performance every time.



Adjustable shower arm position.

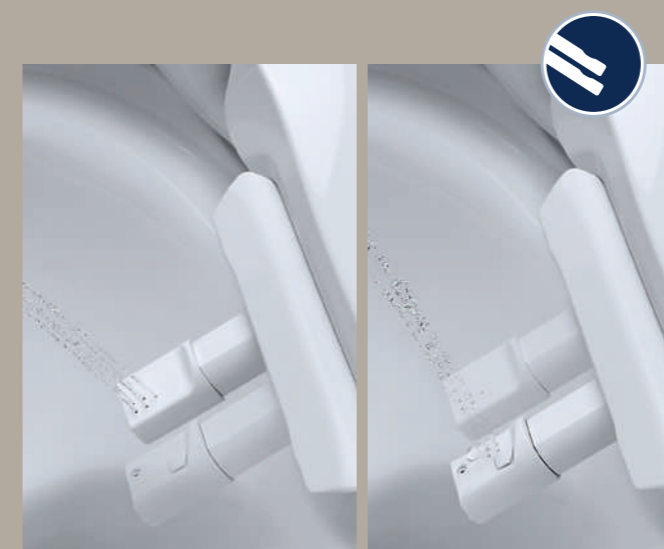
## YOUR MOST PRIVATE SHOWER

It's all about personal care and comfort. With the GROHE Sensia Arena's different spray functions, it's easy to tailor your cleaning routine to suit you.



### LADY SHOWER

A separate spray arm with different spray angle and a softer and wider spray pattern for cleaning the female intimate area, with adjustable temperature and strength for total comfort and gentle cleansing.



### TWIN SHOWER

With one spray arm for the rear spray and a separate spray arm for the Lady Shower, you can be certain that both are perfectly hygienic and positioned perfectly to suit your needs.



### REAR SPRAY

Warm or cold, strong or gentle, an adjustable spray for precise and ultimate cleaning without getting wet all over. Choose between the powerful rear spray and a soft spray for more gentle cleansing.



### OSCILLATING SPRAY

The spray head moves in a gentle forward and backward motion for an extended cleaning area and extra freshness.



### MASSAGE SPRAY

The massage spray allows you to alternate between soft and strong spray strength – for a soothing pulsating massage effect.





ULTIMATE HYGIENE CLEAN

# 02 MAYBE THE **CLEANEST PLACE** ON EARTH

Put your trust in ultimate hygiene – the GROHE Sensia Arena incorporates different innovative technologies that all work together to give you a 100% hygienic toilet. From the design of the bowl to advanced coatings that offer triple protection from dirt, bacteria and limescale, you can be sure that your toilet is always sparkling clean and with minimum effort.



# INNOVATIVE DEVELOPMENTS FOR ULTIMATE TOILET HYGIENE



## GROHE HYGIENECLEAN

Outstanding hygiene features provide ultimate cleanliness. Combining our leading-edge anti-stick coating AquaCeramic and the HyperClean glaze that prevents the growth of 99.9% of germs you can be confident that your ceramic will stay clean for 100 years.



## AQUACERAMIC

Creates a smooth hydrophilic layer on the ceramic surface that dirt and limescale can't stick to. Makes your toilet 100 years clean!



## HYPERCLEAN

This exceptionally smooth and hardwearing glaze uses silver ions to prevent 99.9% of bacteria growth, keeping your ceramic sparkling clean and germ-free.



## GROHE POWERFLUSH

Strong vortex action creates a high-suction force for an extra-powerful flush, thoroughly cleaning all corners of the toilet bowl.



## TRIPLE VORTEX

Three water outlets create a powerful vortex effect with each flush, covering and cleaning every corner of the bowl for ultimate hygiene.



## RIMLESS TOILET BOWL

The rimless toilet bowl allows easier cleaning. No dirt collects on the rim, and the interior of the bowl is clean and bright.



## AUTOMATIC CLEANING

Spray arm heads are cleaned before and after each use.



## ANTI-BACTERIAL SPRAY NOZZLE

Made from 99.9% anti-bacterial material, certified by the SIAA, the spray nozzle stays germ-free at all times.



## ANTI-BACTERIAL NOZZLE GUARD

The spray arms are protected behind a removable 99.9% anti-bacterial nozzle guard for total hygiene.



## EXCHANGEABLE SPRAY HEAD

The spray arm can be easily replaced.



## QUICK – RELEASE SEAT<sup>1</sup>

A special hinge allows easy removal of the toilet seat for cleaning.



GROHE  
HygieneClean

grohe.com

## ULTIMATE HYGIENE FOR 100 YEARS WITH AQUACERAMIC AND HYPERCLEAN

### 01 AQUACERAMIC AVOIDANCE OF IMPURITIES



surface without AquaCeramic



surface with AquaCeramic

### 02 HYPERCLEAN PREVENTION OF BACTERIA GROWTH



surface without HyperClean



surface with HyperClean



### AQUACERAMIC DOUBLE THE PROTECTION FROM IMPURITIES

It creates a smooth surface that impurities can't stick to, meaning impurities or residues cannot attach to the bowl and the powerful triple vortex flush easily cleans with one flush. This innovative surface treatment works in two ways – it uses a hydrophilic layer to prevent residues sticking to the bowl, and it uses nano-technology to prevent limescale latching onto the surface and attracting dirt and grime. The AquaCeramic surface is coated after firing and lasts more than 100 years! Even scrubbing won't wear it off. Alongside GROHE's HyperClean finish it locks out impurities and bacteria for good, making cleaning minimum of effort and maintaining the sparkling, fresh-from-the-box finish.



### HYPERCLEAN NO CHANCE FOR BACTERIA TO GROW

Take confidence that your bathroom is hygienic and clean with HyperClean, which uses naturally anti-bacterial silver ions to inhibit germs and prevent stains and odour. During the glazing process this exceptionally smooth and hardwearing finish is added which prevents 99.9% of bacteria growth, meaning your ceramics stay sparklingly clean and germ-free with the minimum of effort. Take peace of mind from this feature, certified by the Society of Industrial Technology for Antimicrobial Articles, guaranteed to make your bathroom a safer, cleaner and germ free place for you and your family.

### EASILY CLEAN – WITH ONE FLUSH



with  
AquaCeramic

without  
AquaCeramic



Ceramic materials proudly feature the SIAA (Society of Industrial Technology for Antimicrobial Articles) brand mark based on ISO for KOHKIN – stringent criteria for the anti-bacterial effect and the safety of the agent.



## TRIPLE VORTEX THE POWER OF THREE

Unlike other toilets, GROHE's innovative triple vortex flush system creates a powerful vortex of water that swirls to cover and clean the whole of the bowl. Despite its power, this effective flush has low water consumption, with a dual flush option that uses just 5l of water and only 3l for a short flush. Instead of one or two water outlets, the Triple Vortex system flushes from three outlets – one at the back, one at the side and one at the base of the bowl – creating an incredibly powerful flush that leaves nothing behind.



## RIMLESS TOILET BOWL LEAVES BACTERIA NOWHERE TO HIDE

Corners and crevices are playgrounds for bacteria, especially under the rim of the toilet bowl. That's why we've created the "rimless" bowl where every surface is easy to reach and minimum of effort to keep clean, even in the parts you can't see. In tandem with the triple vortex flush it makes this the cleanest toilet ever.



## BECAUSE CLEAN IS IN THE DETAIL

Every aspect of the GROHE Sensia Arena design has been carefully considered to make sure it's always hygienic and easy to clean. That means even the little details have been taken care of so you don't have to worry. The self-cleaning spray arms and nozzle guard are both made of anti-bacterial material, which is 99.9% bacteria-resistant and certified by the SIAA. Both have been designed to be easy to remove and replace for extra occasional cleaning.

### AUTOMATIC CLEANING OF SPRAY ARM

Before and after each use of the shower toilet, the automatic cleaning programme will run so you can have complete confidence that the spray arms and nozzles are clean and safe.



### ANTI-BACTERIAL SPRAY ARM

The spray arm is made from 99.9% anti-bacterial material, certified by the strict standards of the SIAA. So the spray head and arm remain germ-free at all times.



### EXCHANGEABLE SPRAY HEAD

Keep that safe feeling for years with the option to replace the spray head completely if needed.



### NOZZLE GUARD

The two spray arms are both protected inside the toilet with a 99.9% anti-bacterial nozzle cover, certified by the SIAA.



Ceramic materials proudly feature the SIAA (Society of Industrial Technology for Antimicrobial Articles) brand mark based on ISO for KOHKIN – stringent criteria for the anti-bacterial effect and the safety of the agent.



PERSONAL COMFORT

# 03 WE'VE TAKEN CARE OF YOUR PERSONAL COMFORT

Take total control of your cleansing routine in three different ways. You can use the smartphone app, which lets you programme your own user profile effortlessly, reach for the intuitive remote, or use the simple control panel at the side of the seat. What could be more simple?



# SMART PROFILING FOR BEST PERSONAL COMFORT



## SMARTPHONE APP

Control your shower toilet and save your personal settings to your user profile for extra convenience via the GROHE Sensia Arena App.



## USER PROFILE MEMORY<sup>1</sup>

You can save different user settings and recall them every time when you use the toilet.



## REMOTE CONTROL

Access all functions by remote control, comfortably and intuitively.



## SIDE CONTROL PANEL

Basic functions can also be controlled directly on the seat at your convenience.



## AIR DRYER

After a warm-water shower, the warm-air dryer provides fast and gentle drying.



## ODOUR ABSORPTION

As soon as you sit down on the seat, odour extraction is activated automatically.



## AUTOMATIC SEAT OPEN & CLOSE

When approaching the toilet, a sensor recognises your presence and the lid and seat open and close automatically.



## NIGHTLIGHT

The shower toilet is lit by a soft light in the dark to help you find your way.



## SOFT CLOSE SEAT

Both seat and lid have a gentle and quiet soft-closing mechanism.



## AUTOMATIC FLUSH<sup>2</sup>

The moment you move away from the toilet, a sensor-controlled flush is actuated.

<sup>1</sup>Smartphone App only | <sup>2</sup>For automatic flush an upgrade kit is necessary: 46 944 000





Download the  
**GROHE SENSIA ARENA APP**  
in the Apple App Store.



## HOW INTELLIGENCE MAKES YOU COMFORTABLE

### GROHE SENSIA ARENA APP

Select and store all your preferred settings to your smart phone with the GROHE Sensia Arena App. The app lets you create individual user profiles so your ideal spray pattern, pressure and temperature are memorised, meaning you can enjoy your perfect personalised cleansing experience effortlessly, every time. Works with IOS.

### REMOTE CONTROL

Control every function of the GROHE Sensia Arena with the intuitive remote control, which can be wall-mounted within arm's reach. It makes controlling the GROHE Sensia Arena simple – just select your preferred spray, pressure and water temperature from the easy-to-follow menu.



### SEAT CONTROL PANEL

Within comfortable arm's reach, the side of the GROHE Sensia Arena has a simple control panel that lets you alter the spray function and adjust the water pressure of your cleansing experience with just a touch.



## PERSONAL COMFORT



## AIR DRYER

Enjoy the ultimate warming comfort of an air dryer function, leaving you completely clean and dry.



## ODOUR ABSORPTION

Never worry about bathroom odours! Two vents keep any smells at bay – an airshield around the bowl surface seals the air inside the toilet, keeping odours in the bowl, while the other draws odours away completely through an active carbon filter.

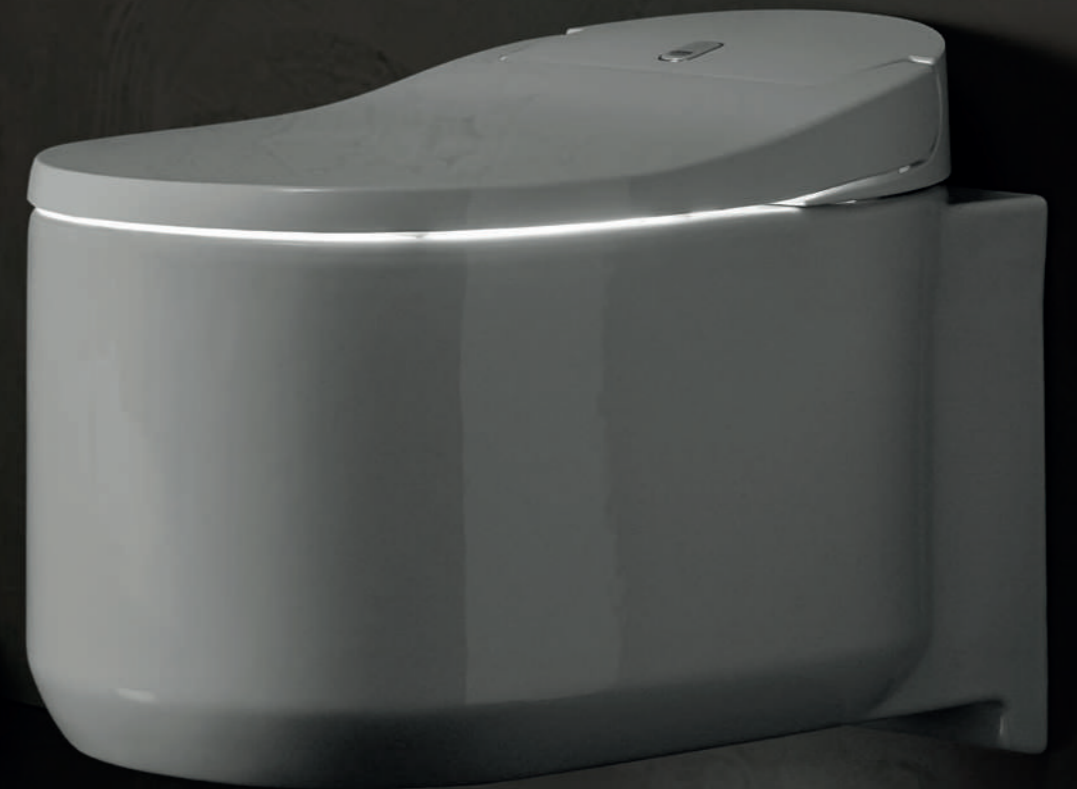
SEAT LID  
OPEN AND CLOSE

The toilet's sensor detects your presence, automatically opening the lid as you approach. You can preset automatic open and close, seat lid only or both seat lid and seat.



## NIGHTLIGHT

The GROHE Sensia Arena is there to look after your every need from start to finish. That's why we've included a soft nightlight to guide your way at night.



# TECHNOLOGY YOU CAN RELY ON

From installation to water consumption you can trust GROHE engineering and technology to ensure everything works perfectly, with optimum performance, ease and efficiency.

## GROHE Sensia Arena Technical Data

<b>Consumption</b>	
Flushing water volume Full / Half flush ( l )	5l / 3l
Energy consumption (stand-by) ( W )	< 0.5W
Rated power consumption	850W
Energy consumption for 1 year (estimation 4 person household) <sup>1</sup>	30KWh/Year
Spray water flow rate (Rear spray/ Lady shower)	0,4 - 0,5 (l/min)
<b>Connections</b>	
Water pressure	0.5-10 bar
Water connection	3/8"
Outlet direction	P (Horizontal)
Power supply	220-240 V AC
Frequency	50 / 60 Hz
<b>Comfort</b>	
Water temperature	32-38 °C
Dryer temperature	40-55 °C
Dryer Air flow rate	18 m <sup>3</sup> /h
Odor absorption Air flow rate	2.4 m <sup>3</sup> /h
Warm Water Supply	Unlimited
Weight (Kg)	41,5 kg (Product) 49,5 kg (Total package)
<b>Certification</b>	
IP class	IP x4
	DVGW
	EN 1717
	CE
SIAA (antibacteria)	Type of anti-bacterial agent used: Inorganic anti-bacterial agent
	Method of anti-bacterial treatment: Firing
	Anti-bacterial treatment portion: Water flowing surface
	Registration number: JP0122008A0038Z

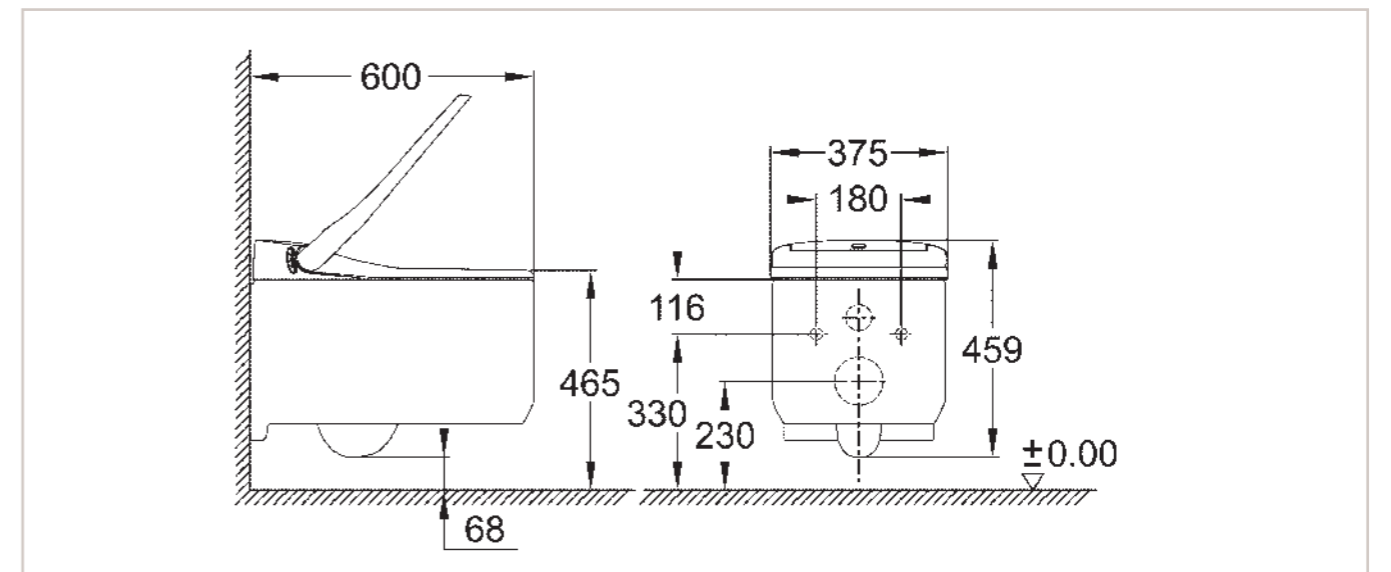
<sup>1</sup>GROHE internal calculation (4 persons/family). Use of toilet: 16 times per day.



**39 354 SH0**  
**Sensia Arena** shower toilet  
wall-mounted

**optional:**  
**46 944 000**  
Installation kit for automatic flush  
for Rapid SL with flushing cistern GD2 in  
combination with Sensia Arena shower toilet

**40 899 000**  
Connection set for Sensia Arena/IGS  
to prepare the current frame for  
GROHE shower toilets



# SIMPLE, QUICK INSTALLATION

Fit your shower toilet to a new bathroom or within your existing scheme – it's all been designed to be so easy. With GROHE's glass module' you can pick from a velvet black or moon white safety glass module that conceals the water supply and can be installed over existing tiles. For new schemes the GROHE Rapid SL frame is designed for swift installation behind the wall, neatly concealing everything you need to run your shower toilet.



- [1] Connection box for water supply Sensia IGS and Sensia Arena
- [2] Water connection for Sensia IGS
- [3] Protection block for flush pipe and waste bend (as well as mounting pattern for tiler)
- [4] Integrated fixing point for electro cable Sensia Arena
- [5] Conduit pipe to guide the water connection hose





GROHE.COM

Follow us



Register your GROHE Sensia Arena and benefit twice!  
<https://product-registration.grohe.com/>

Grohe AG  
Feldmühleplatz 15  
D - 40545 Düsseldorf  
Germany

© 06/2017 – Copyright by GROHE

PART OF **LIXIL**